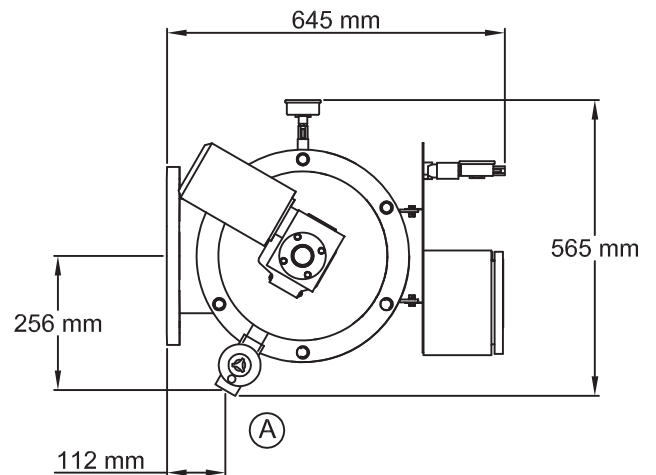



- (A) Colector drenaje 1"  
**1" Drainage manifold**
- (B) Colector entrada 8"  
**8" Inlet manifold**
- (C) Colector salida 8"  
**8" Outlet manifold**



### AZUD LUXON LDB 5400 S/8

SCALE S/E A4 FORMAT	MATERIAL:	RESPONS.: M. Martínez	
	UNITS: mm.	REVISION: 00	
	FILE: Azud_luxon_LDB_5400-S8.dwg	12/04/2012	